

planika
INTELLIGENT FIRE



We would like to introduce you to the amazing world of Planika's intelligent fires, where neither chimney nor hard connections are required. Planika joins the warmth of natural fire with the advanced technology creating wonderful, highly functional bio ethanol fireplaces. The uniqueness of the solutions applied allows Planika Fires to obtain the effect of dancing flames in their natural intense colours. With the appropriate amount of time spent on designing and carefully selecting materials, manufactured in Europe, Planika Fires has already succeeded in more than 60 countries all over the world.

Today, Planika with subsidiaries in USA, sells its products worldwide and has more and more appreciation among clients of private and public sector, as well as architects. The design process of our bio fireplaces takes place in the Planika Studio where excellent conditions for young designers are provided. By using the most advanced equipment, we can guarantee the reliability and durability of Planika's products, since each product is carefully tested before being sold.

Our success lies in designing a new form that corresponds with constantly changing technology. Design together with the technical knowledge and experience are the basis for every model. By always paying close attention to every detail while shaping the form and carefully selecting the highest quality materials for ethanol fireplaces, Planika has come up with products that are in accordance with our sustainable agenda. In order to provide finest products, our specialists constantly modernise the implemented technologies. Therefore, we are the only company in the world using such advanced, patented technology.

By stimulating cooperation between technology and business, the company has gained the position of the world leader in the production and distribution of bio fireplaces, suitable for both commercial and private areas. Planika provides people with the primeval element of fire dressed in the highest quality design.



about

US





arrangements
of products







Serenity yacht by Mondomarine
Model: Fire Line Automatic
Photo courtesy: Aberto Cocchi



Serenity yacht by Mondomarine
Model: Fire Line Automatic
Photo courtesy: Aberto Cocchi



Poziom 511 Design Hotel & Spa - Podzamcze, Poland
Model: Fire Line Automatic



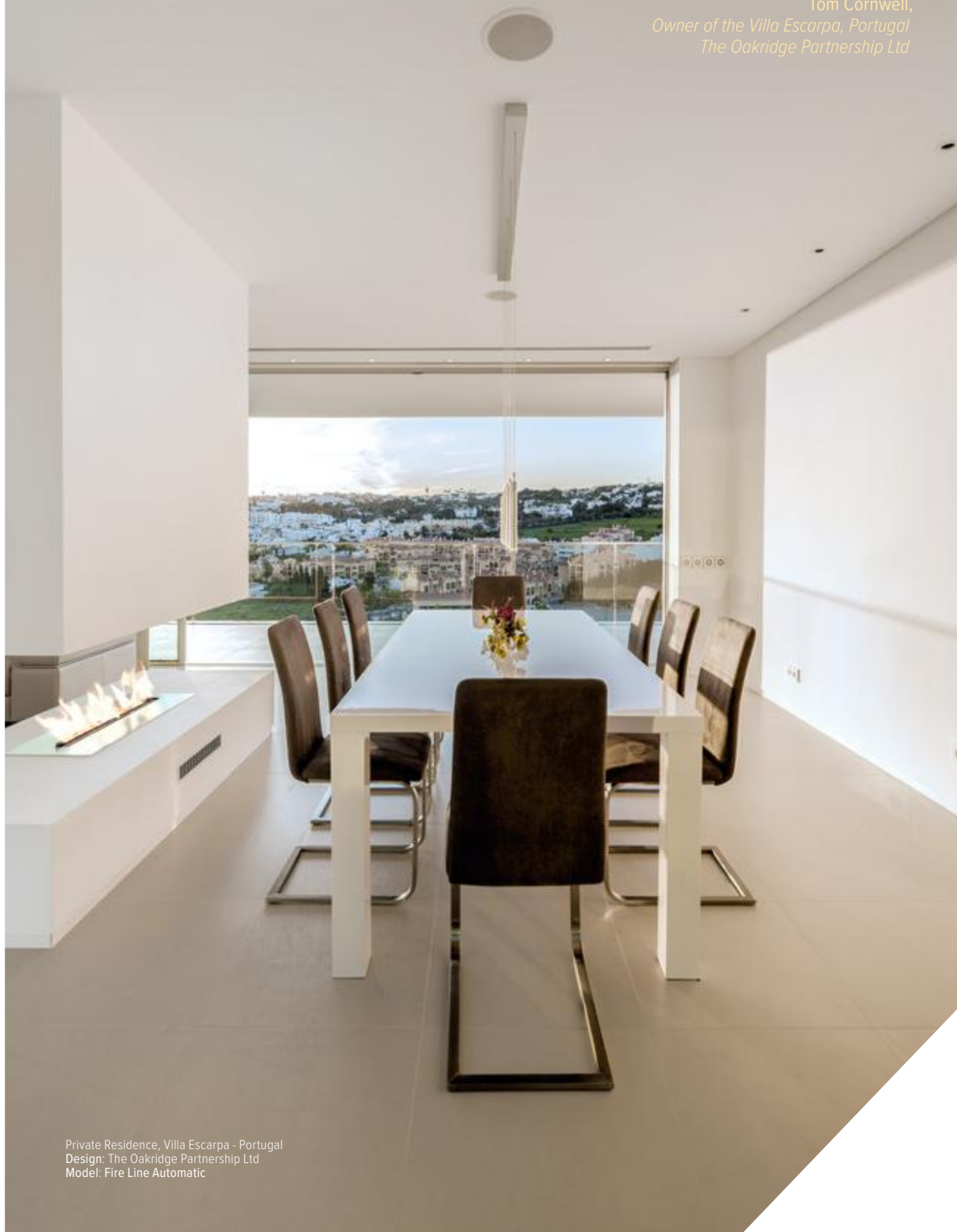
Piekna Bistro Restaurant - Warsaw, Poland
Design: ON/OFF Architekci
Model: Fire Line Automatic



Daniels Openhaarden, Netherland
Model: Fire Line Automatic

Fire Line Automatic fits perfectly in our house between the lounge and the dining room. Everybody wants to see it burning even in the middle of summer.

Tom Cornwell,
Owner of the Villa Escarpa, Portugal
The Oakridge Partnership Ltd



Private Residence, Villa Escarpa - Portugal
Design: The Oakridge Partnership Ltd
Model: Fire Line Automatic



Izel Restaurant, Conrad Hotel - Dubai, UAE
Design: WS Atkins & Partners
Supervision: Patricia Holler
Model: Fire Line Automatic - 8000 mm







Private residence, Portugal
Design: Induplano
Model: Fire Line Automatic



It is in fact a very original fire solution since it is hard to find an apartment where natural flame fireplace is used. It was impossible according to safety requirements. That is why modern bio fireplaces are a very good alternative.

The Address Downtown, Dubai, UAE
Model: Galio Insert



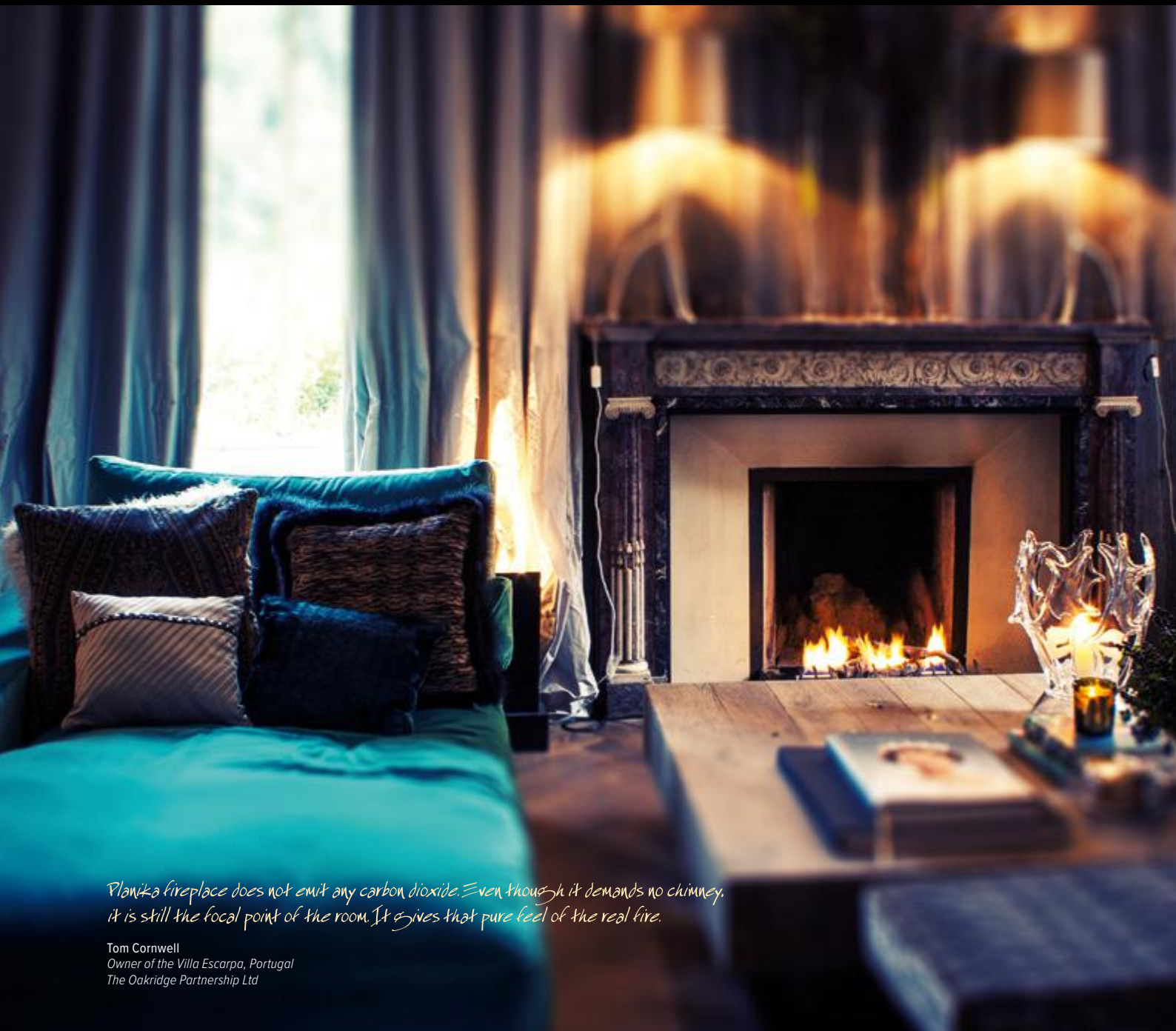
Radisson Blu Old Mill Hotel, Belgrade
Model: Fire Line Automatic





Golden One Center - Klings Arena, Sacramento, CA
Model: Fire Line Automatic

Showroom Landhuis Gooilust - Amsterdam, Netherlands
Model: HotBox



Planika fireplace does not emit any carbon dioxide. Even though it demands no chimney, it is still the focal point of the room. It gives that pure feel of the real fire.

Tom Cornwell
Owner of the Villa Escarpa, Portugal
The Oakridge Partnership Ltd



 Design: Tomasz Tubisz
Photographer: Przemysław Andruk



Softly residence, Bydgoszcz, Poland
Model: Lincoln

*Planika's fireplace was something new for my investor
and he was willing to take advantage of such opportunity.*

Aleksandra Bobrowicz-Nadolny
Interior Designer, Dot.projekt



Salone Internazionale del Mobile - Milan, Italy
Model: PrimeFire
Photo courtesy: Jan Lutyk



Private Villa - Emirates Hills, Dubai
Design: Bishop Design LLC
Model: Totem Commerce



Hotel Copernicus, Toruń, Poland
Model: Galio Corten



*Portable bio fireplaces are easy to move
in the case of rearrangement. Their simplicity
is very useful in the modern houses.
In my opinion, they have a great future.*

Hans Murman
Architect, Murman Arkitekter

Odessa Restaurant - Kiev, Ukraine
Design: YOD Design Lab
Model: Fire Line Automatic 2 model E



Private Residence - Bialystok, Poland
Design: Cubic Projekt, Tomasz Tubisz
Model: 2 x Fire Line Automatic - 3000 mm



Private residence, Girona, Spain
Model: Gustav Commerce





Private residence - USA
Model: Faro Commerce



Hotel Copernicus, Toruń, Poland
Model: Tondo Commerce

Shuvalovsky Project - Moscow, Russia
Design: Geometrix design
Model: Fire Line Automatic



Private residence
Design: Ivanka Kowalski
Model: Fire Line Automatic





Hotel Copernicus, Toruń, Poland
Model: Simple Commerce

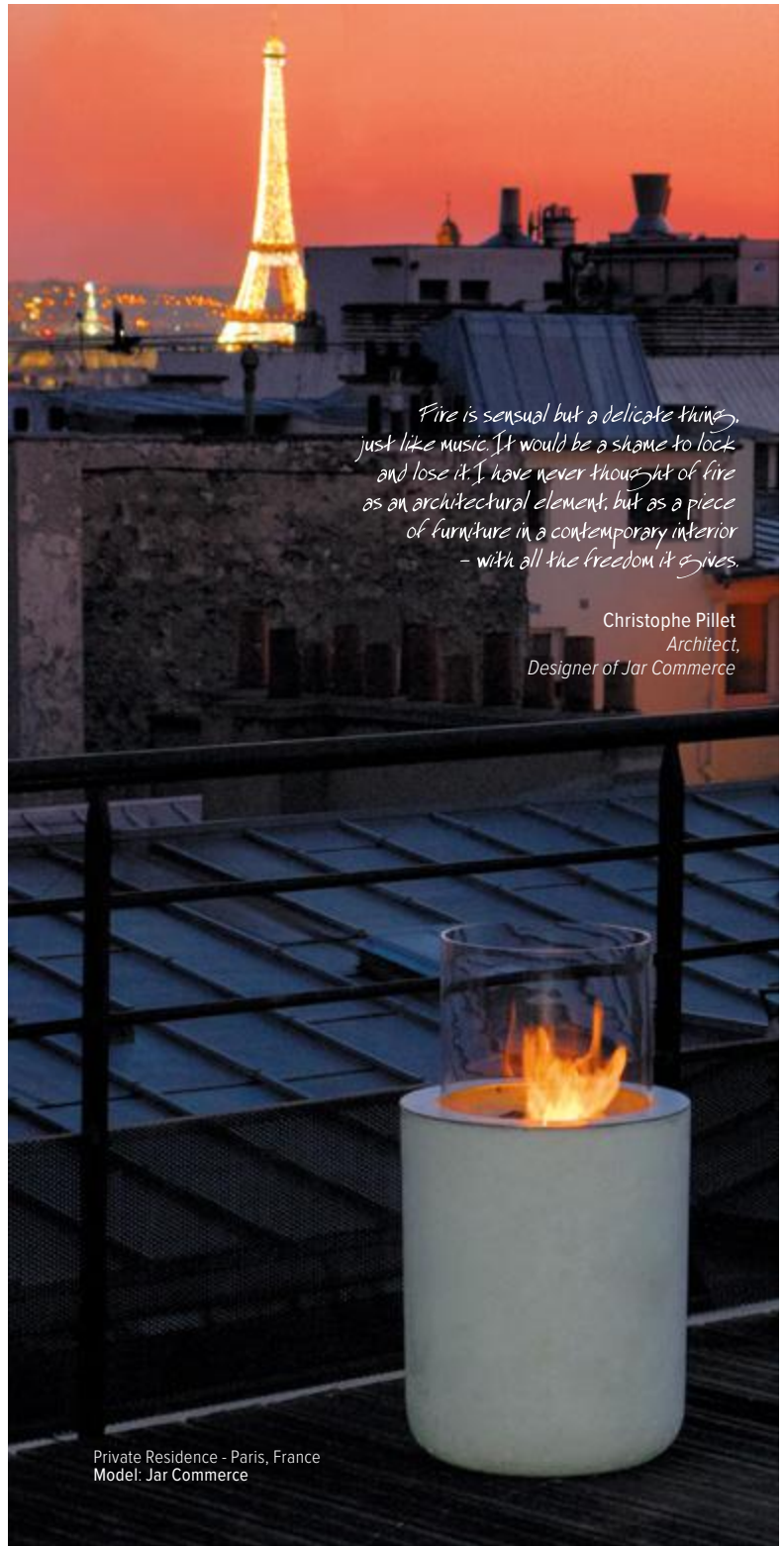




Hotel Bulwar - Torun, Poland
Model: Jar Commerce



Lubostron Palace - Lubostron, Poland
Model: Jar Commerce



*Fire is sensual but a delicate thing,
just like music. It would be a shame to lock
and lose it. I have never thought of fire
as an architectural element, but as a piece
of furniture in a contemporary interior
- with all the freedom it gives.*

Christophe Pillet
Architect,
Designer of Jar Commerce

Private Residence - Paris, France
Model: Jar Commerce



Van der Valk Hotel, Veenendaal, Netherlands
Model: Fire Line Automatic





WORLDWIDE EXPERIENCE

- Over 15 years on the market
- Global recognition
- Numerous projects on every continent
- Top private and commercial designs (Marriott, Hilton, Kempinski and many more)



PATENTED BEV TECHNOLOGY

- No direct contact between the fuel and the flame
- No smell, no smoke, no ash
- Cleanest combustion process
- Natural, golden flames
- Longest burning time



WHY to choose us?



CUSTOM PRODUCTS - FIRE LINE AUTOMATIC

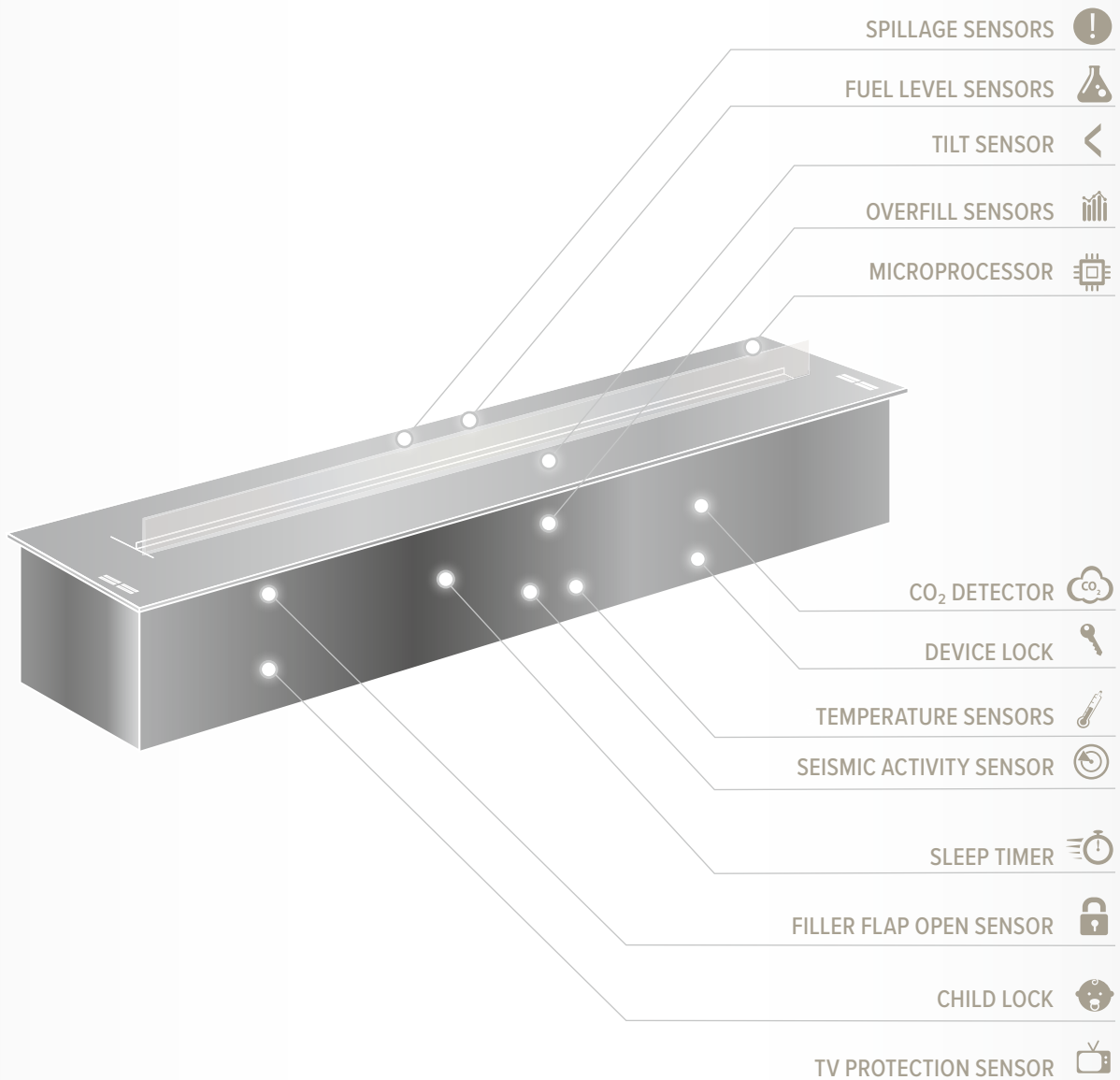
- Bespoke models to create an endless line of fire
- Customizable length and color
- No hard connections for unlimited arrangement possibilities
- Easy installation to implement the fireplace at every stage of the project
- Professional support of the Project Department



INTELLIGENT FEATURES & ADVANCED SAFETY

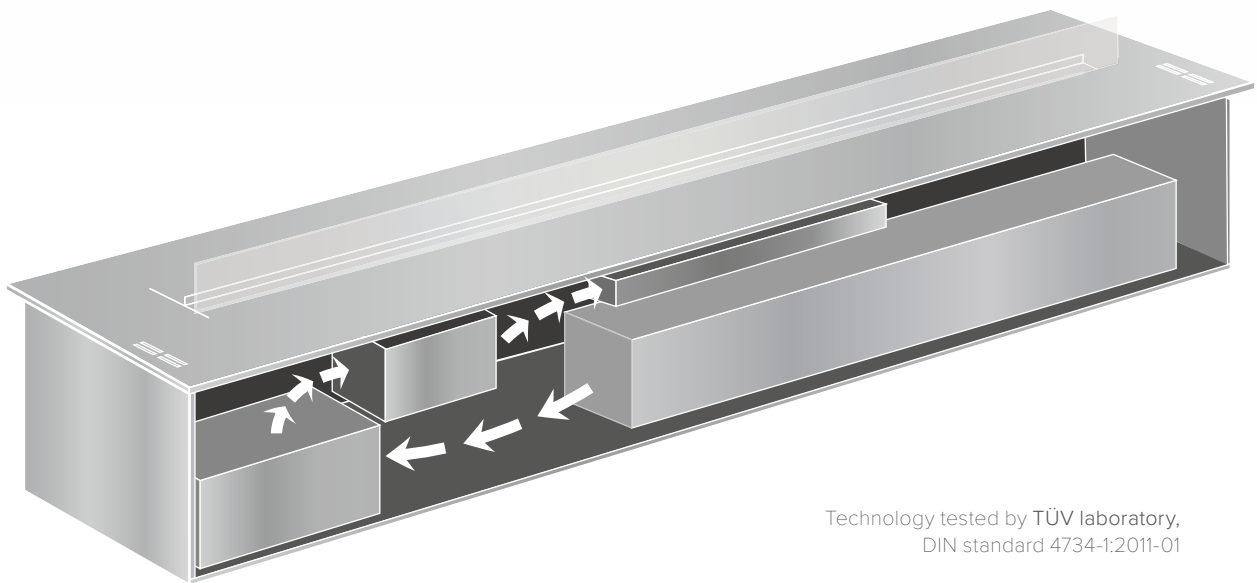
- TÜV, UL and ULC certified
- Multiple safety features: temperature sensor, tilt sensor, child lock, CO₂ detector, overflow sensor
- Mobile device control via Wi-Fi net
- Smart Home System compatible
- Remote control
- Intuitive control panel
- Complex projects – we installed the first bioethanol fireplace on a yacht
- Advanced safety confirmed by numerous commercial and public projects
- Advanced microprocessor controlling the operation of the fireplace

safety sensors



Planika's intelligent fireplaces are fully automatic products that ensure the maximum level of comfort and safety. The advanced microprocessor communicates with multiple safety sensors and detectors, guaranteeing proper fireplaces operation at all times. This advanced technological solution allows the user to enjoy the fully controlled, natural flames.

intelligent fire



Technology tested by TÜV laboratory,
DIN standard 4734-1:2011-01

Patented Technology: EP2 549 182

In Planika's laboratory, a specialized team of engineers search for new technological solutions and carries out extensive tests on every fireplace prior to selling it. Our products have also successfully passed safety and quality tests carried out by the leading certification institutes, meeting the most demanding requirements, including the DIN norm 4734-1:2011-01 certified by TÜV laboratory.

In order to ensure the highest level of comfort and safety, both the fireplace operation and the burning process are fully controlled by an advanced microprocessor and other electrical components. The products are also equipped with numerous safety sensors and detectors that constantly monitor and control the device, reacting to any irregularities in its operation.

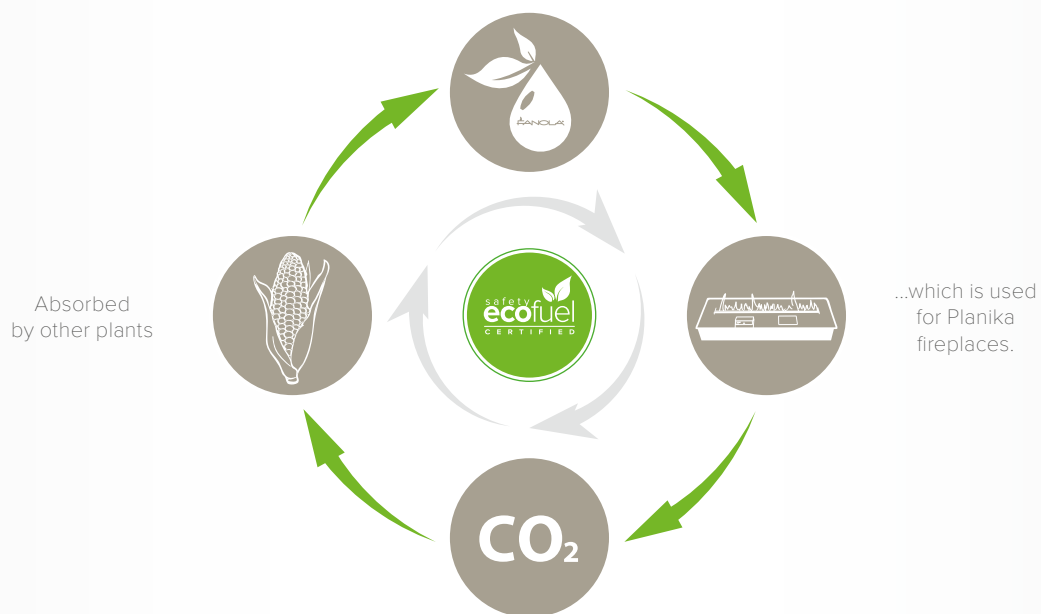
Planika's products allow for convenient control options, including a handheld remote, mobile devices via WiFi network and Smart Home Systems. All our automatic fireplaces utilize the patented BEV Technology, a solution that eliminates the direct contact between the flame and the fuel, resulting in a very clean and beautiful flame. The technology also allow for unlimited arrangement possibilities and extensive customization options of your fireplace.

ecology

biofuel for fireplace

renewable energy source

Sugars obtained from plants are fermented, distilled and denatured, becoming Fanola® bioethanol...



Burning process emits CO₂ and H₂O in amounts comparable to that of human breath

automaticinserts

intelligent fire



automatic inserts

Fire Line Automatic 3

FLA3

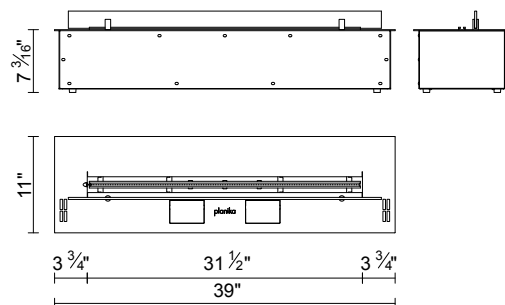
Control your fire with mobile devices
Create an endless line of fire

FEATURES:

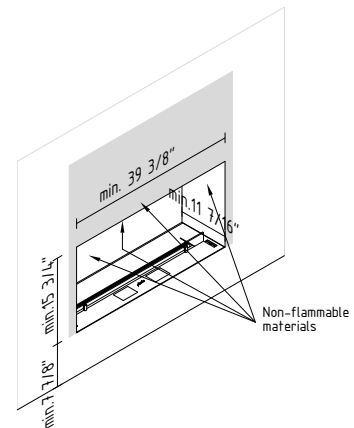
- BEV* Technology
- No smell / no ash / no smoke
- WiFi (controlled with mobile devices)
- Remote controllable
- Smart Home Systems compatible
- Advanced safety sensors
- Fast Start
- Automatic shutdown in case of errors
- Child Lock
- Sleep timer
- Advanced microprocessor
- LCD display
- Control panel
- Intuitive control
- 6 levels of flame height
- Easy installation
- Bespoke sizes
- Possibility of joining modules
- Custom finish option
- No additional installation
- No additional ventilation required
- No chimney required
- External wireless temperature sensor
- Electrical connection required
- For indoor use
- Eco-friendly
- Automatic fuel pump
- Certified to UL standards



DIMENSIONS:



INSTALLATION:



* BEV Technology – A patented process resulting in the clean burning of bio-ethanol fuel vapours.

TECHNICAL DATA:

Capacity: 1,47 gal
 Burning time: 6 - 12 h
 Heat output: 10578-21155 BTU
 Net weight: 62 lbs
 Air circulation: min. 1/h
 Minimum room size:
 please contact our Project Department for details
 Power supply: 115 V
 Finish:
 TOP: brushed stainless steel / optional: RAL colours / optional: black powder coated steel,
 CASING: galvanized steel,
 GLASS SHIELD: hardened glass

automatic inserts

Fire Line Automatic 3

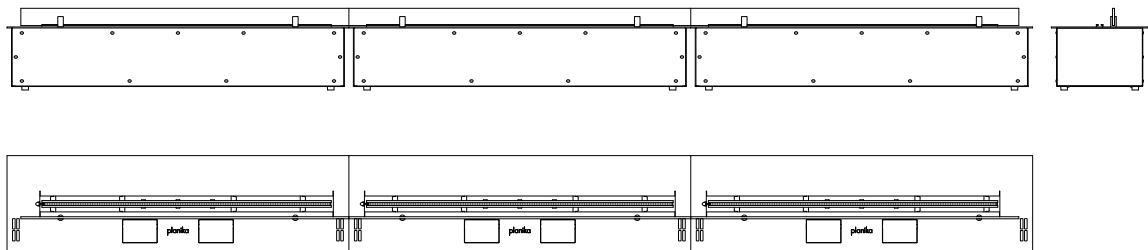
FLA3

BESPOKE MODELS:

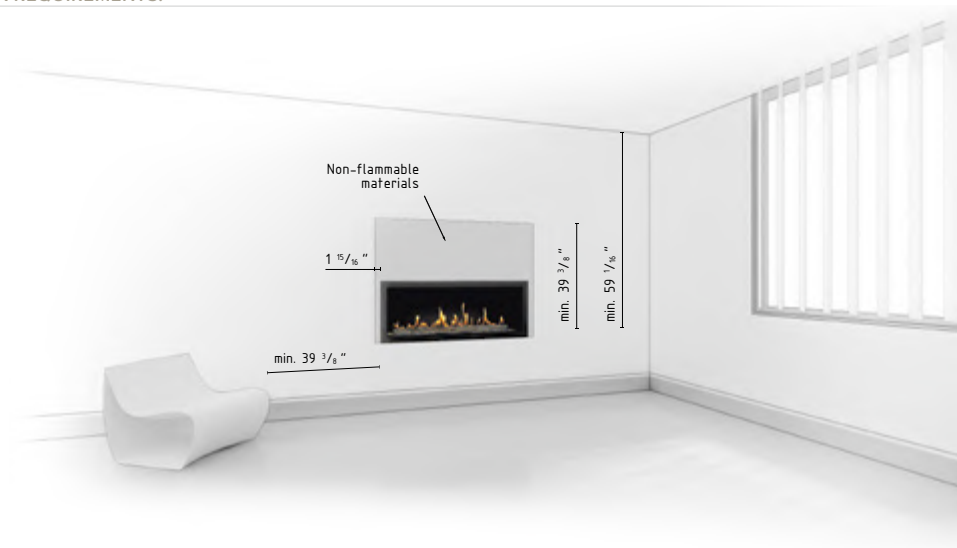
Planika ensures top service. To live up to our clients' requirements, we have provided the possibility to produce bespoke models, according to the client's expectations. Length of the bio fireplace is customizable.

SEVERAL JOINT UNITS - UP TO UNLIMITED LENGTH:

If a longer line of fire is preferred, several units can be placed together and operated with a single remote control, giving the possibility to create an endless line of fire. Client can choose between the right, middle and left module.



INDOOR INSTALLATION REQUIREMENTS:



automatic inserts

Fire Line Automatic 3

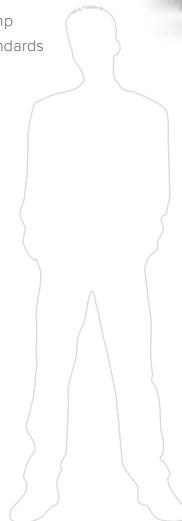
FLA3 in casing A

Perfect solution for architects
WiFi-controlled fireplace

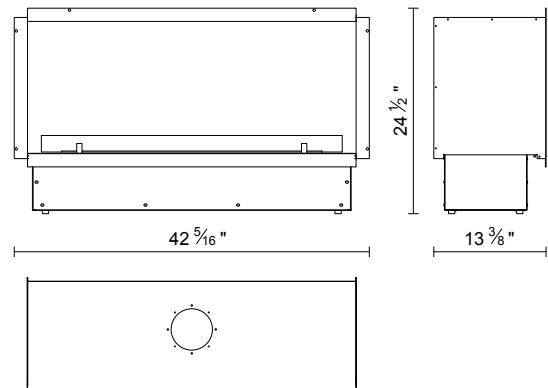


FEATURES:

- BEV* Technology
- No smell / no ash / no smoke
- WiFi (controlled with mobile devices)
- Remote controllable
- Smart Home Systems compatible
- Advanced safety sensors
- Fast Start
- Automatic shutdown in case of errors
- Child Lock
- Sleep timer
- Advanced microprocessor
- LCD display
- Control panel
- Intuitive control
- 6 levels of flame height
- Easy installation
- Bespoke sizes
- Custom finish option
- No additional installation
- No additional ventilation required
- No chimney required
- External wireless temperature sensor
- Electrical connection required
- For indoor use
- Eco-friendly
- Automatic fuel pump
- Certified to UL standards



DIMENSIONS:



* BEV Technology – A patented process resulting in the clean burning of bio-ethanol fuel vapours.

TECHNICAL DATA:

Capacity: 1,47 gal

Burning time: 6 - 12 h

Heat output: 10578-21155 BTU

Net weight: 85,5 lbs

Air circulation: min. 1/h

Minimum room size:

please contact our Project Department for details

Power supply: 115 V

Finish:

TOP: brushed stainless steel / optional: RAL colours / optional: black powder coated steel,

CASING: black powder coated steel, brushed stainless steel, galvanized steel,

OPTIONAL FRAME: brushed stainless steel,

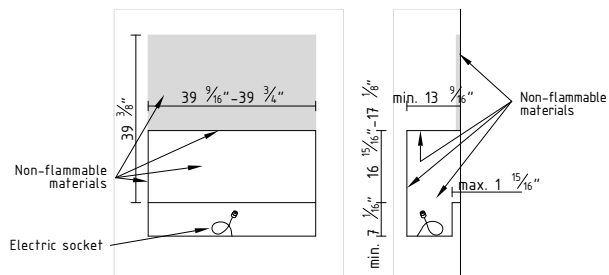
GLASS SHIELD: hardened glass

automatic inserts

Fire Line Automatic 3

FLA3 IN CASING A

INSTALLATION:



INDOOR INSTALLATION REQUIREMENTS:



automatic inserts

Fire Line Automatic 3

FLA3 in casing C

*Intelligent fireplace with a long line of fire
Flame visible from three sides*

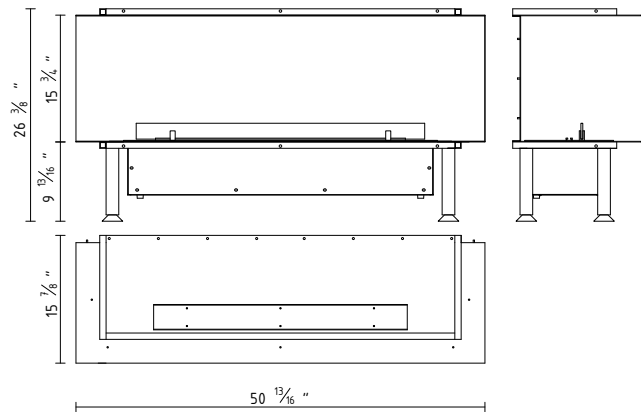


FEATURES:

- BEV* Technology
- Optional BOX XT (left and / or right module)
- No smell / no ash / no smoke
- WiFi (controlled with mobile devices)
- Remote controllable
- Smart Home Systems compatible
- Advanced safety sensors
- Fast Start
- Automatic shutdown in case of errors
- Child Lock
- Sleep timer
- Advanced microprocessor
- LCD display
- Control panel
- Intuitive control
- 6 levels of flame height
- Easy installation
- Bespoke sizes
- Possibility of joining modules
- Custom finish option
- No additional installation
- No additional ventilation required
- No chimney required
- External wireless temperature sensor
- Electrical connection required
- For indoor use
- Eco-friendly
- Automatic fuel pump
- Certified to UL standards



DIMENSIONS:

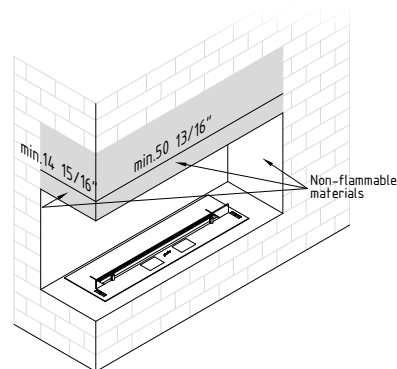


* BEV Technology – A patented process resulting in the clean burning of bio-ethanol fuel vapours.

TECHNICAL DATA:

Capacity: 1,47 gal
Burning time: 6 - 12 h
Heat output: 10578-21155 BTU
Net weight: 125 lbs
Air circulation: min. 1/h
Minimum room size:
 please contact our Project Department for details
Power supply: 115 V
Finish:
 TOP: brushed stainless steel / optional: RAL colours / optional: black powder coated steel,
 CASING: galvanized steel, black powder coated steel,
 GLASS SHIELD: hardened glass

INSTALLATION:



automatic inserts

Fire Line Automatic 3

FLA3 IN CASING C

BESPOKE MODELS:

Planika ensures top service. To live up to our clients' requirements, we have provided the possibility to produce bespoke models, according to the client's expectations. Length of the bio fireplace is customizable.

INDOOR INSTALLATION REQUIREMENTS:



Fire Line Automatic 2 model E automatic inserts

FLA2 model E

*Exceptional fire decoration
Ignite your imagination*

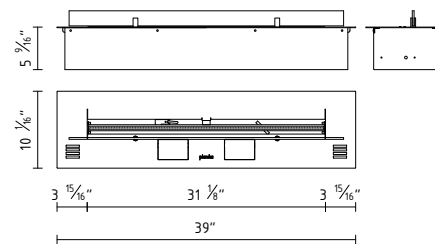
FEATURES:

- BEV* Technology
- No smell / no ash / no smoke
- Optional remote control
- Advanced safety sensors
- Automatic shutdown in case of errors
- Child Lock
- Advanced microprocessor
- Diode display
- Control panel
- Intuitive control
- 2 levels of flame height
- Easy installation
- Possibility of joining modules
- Custom finish option
- No additional installation
- No additional ventilation required
- No chimney required
- Electrical connection required
- For indoor use
- Eco-friendly
- Automatic fuel pump
- Fast Start

* BEV Technology – A patented process resulting in the clean burning of bio-ethanol fuel vapours.



DIMENSIONS:



TECHNICAL DATA:

Capacity: 0,91 gal

Burning time: 3 - 6 h

Heat output: 11396 - 21842 BTU

Net weight: 40 lbs

Air circulation: min. 1/h

Minimum room size:

please contact our Project Department for details

Power supply: 115 V

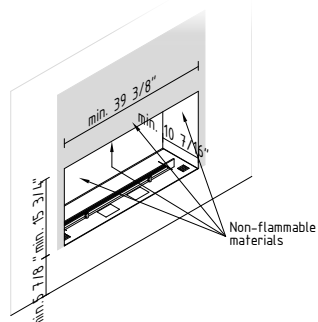
Finish:

TOP: standard black powder coated steel / optional: stainless steel

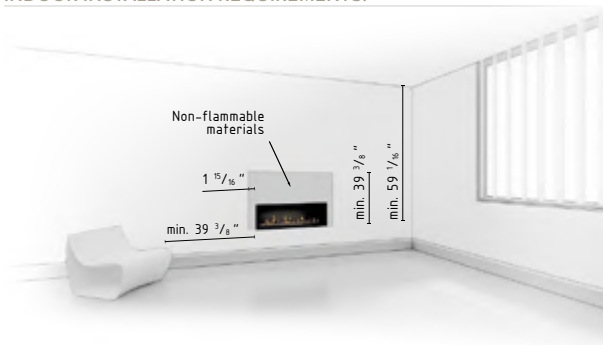
CASING: galvanized steel,

GLASS SHIELD: hardened glass

INSTALLATION:



INDOOR INSTALLATION REQUIREMENTS:



Fire Line Automatic 2 model E

automatic inserts

FLA2 model E in casing E

Functionality dressed in fire design
Innovative eco-friendly technology

FEATURES:

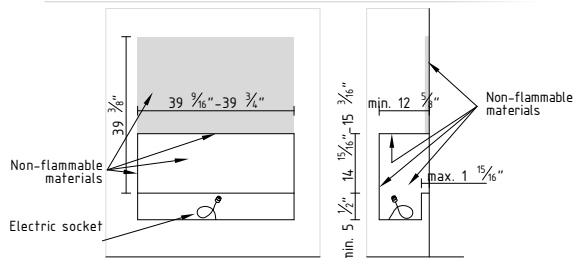
- BEV* Technology
- No smell / no ash / no smoke
- Optional remote controllable
- Advanced safety sensors
- Automatic shutdown in case of errors
- Child Lock
- Advanced microprocessor
- Diode display
- Control panel
- Intuitive control
- 2 levels of flame height
- Easy installation
- Possibility of joining modules
- Custom finish option
- No additional installation
- No additional ventilation required
- No chimney required
- Electrical connection required
- For indoor use
- Eco-friendly
- Automatic fuel pump
- Fast Start

* BEV Technology – A patented process resulting in the clean burning of bio-ethanol fuel vapours.

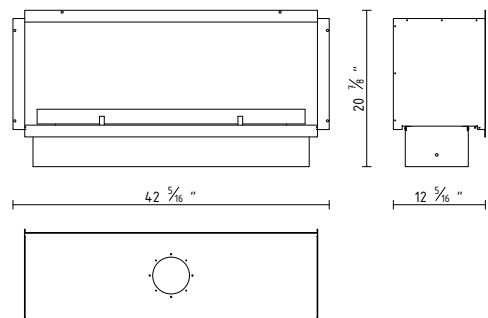
TECHNICAL DATA:

Capacity: 0,91 gal
 Burning time: 3 - 6 h
 Heat output: 11396 - 21842 BTU
 Net weight: 62 lbs
 Air circulation: min. 1/h
 Minimum room size:
 please contact our Project Department for details
 Power supply: 115 V
 Finish:
 TOP: black powder coated steel / optional: brushed stainless steel,
 CASING: black powder coated steel, brushed stainless steel, galvanized steel,
 OPTIONAL FRAME: black powder coated steel,
 GLASS SHIELD: hardened glass

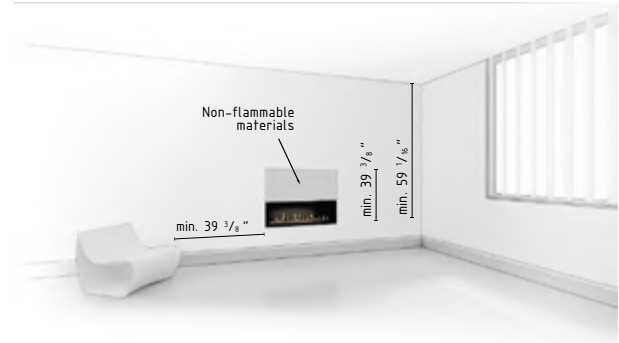
INSTALLATION:



DIMENSIONS:

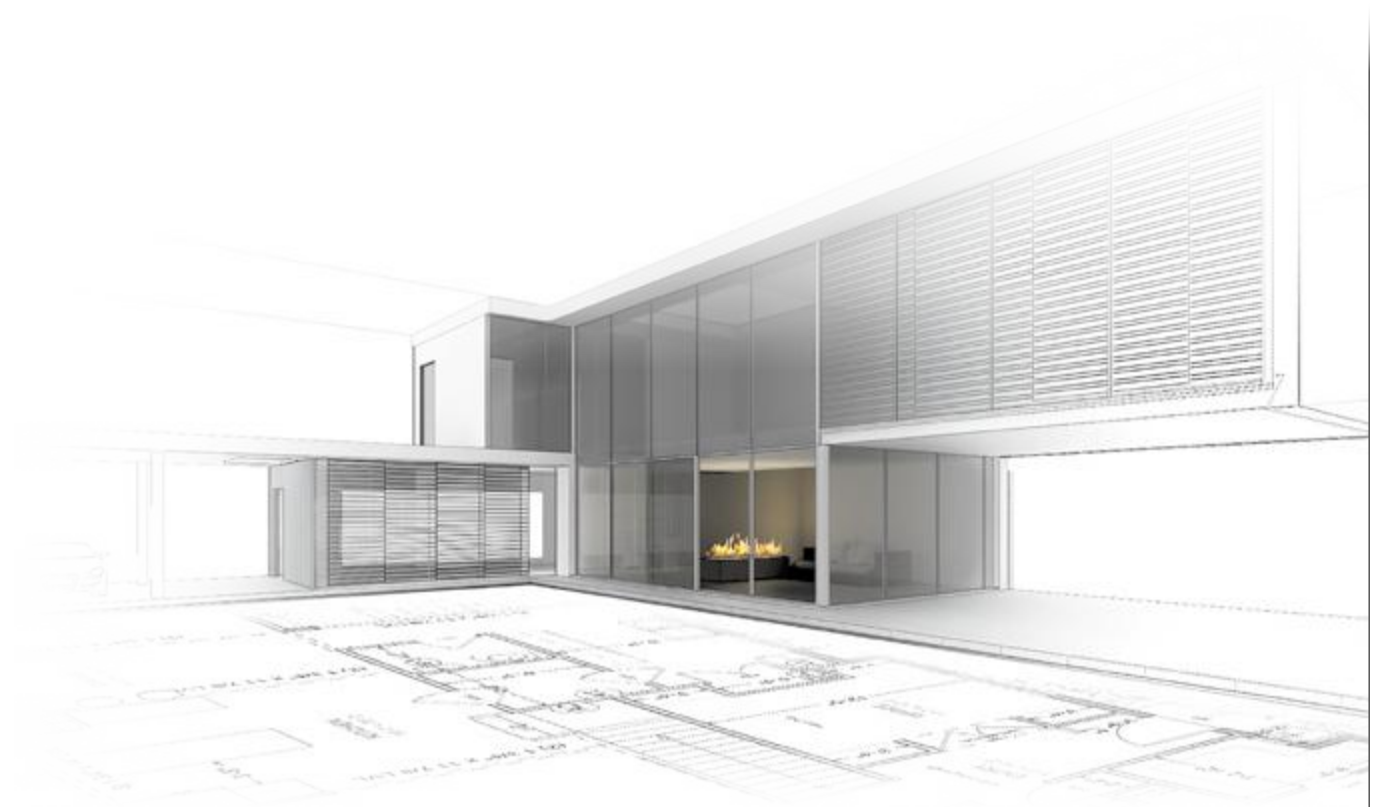


INDOOR INSTALLATION REQUIREMENTS:



PushButtonFireplaces

intelligent fire



PrimeFire PushButtonFireplaces

PrimeFire

*Fire technology with an easy assembly
Real fire at the push of a button*

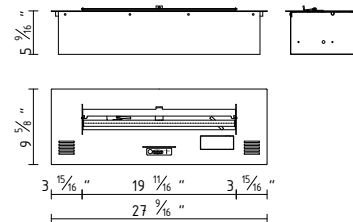


FEATURES:

- BEV* Technology
- No smell / no ash / no smoke
- Optional remote control
- Advanced safety sensors
- Automatic shutdown in case of errors
- Child Lock
- Advanced microprocessor
- Diode display
- Control panel
- Intuitive control
- 2 levels of flame height
- Easy installation
- Possibility of joining modules
- No additional installation
- No additional ventilation required
- No chimney required
- Electrical connection required
- For indoor use
- Eco-friendly
- Automatic fuel pump
- Additional flame suppression system
- Certified to UL standards
- Fast Start



DIMENSIONS:

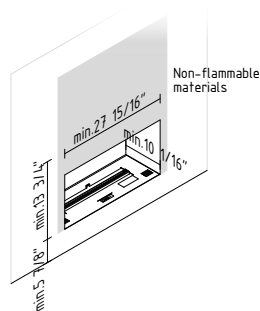


* BEV Technology – A patented process resulting in the clean burning of bio-ethanol fuel vapours.

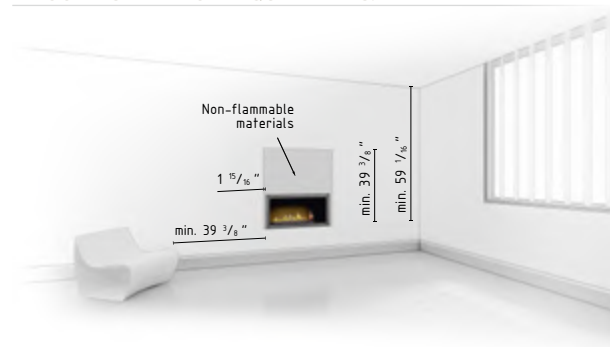
TECHNICAL DATA:

Capacity: 0,7 gal
 Burning time: ~5 h
 Heat output: 13648 BTU
 Net weight: 29 lbs
 Air circulation: min. 1/h
 Minimum room size:
 please contact our Project Department for details
 Power supply: 115 V
 Finish:
 TOP: black powder coated steel,
 CASING: galvanized steel

INSTALLATION:



INDOOR INSTALLATION REQUIREMENTS:



PrimeFire PushButton Fireplaces

PrimeFire

PrimeFire in casing

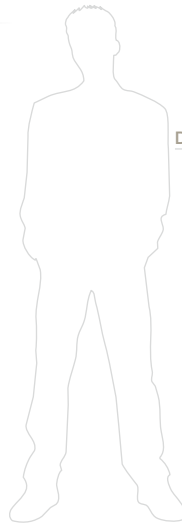
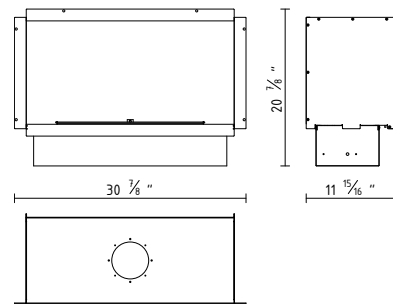
*Enjoy natural flames without smoke, smell or ash
Ignite the fire with a single button*



FEATURES:

- BEV* Technology
- No smell / no ash / no smoke
- Optional remote control
- Advanced safety sensors
- Automatic shutdown in case of errors
- Child Lock
- Advanced microprocessor
- Diode display
- Control panel
- Intuitive control
- 2 levels of flame height
- Easy installation
- No additional installation
- No additional ventilation required
- No chimney required
- Electrical connection required
- For indoor use
- Optional decorative accessories
- Eco-friendly
- Automatic fuel pump
- Additional flame suppression system
- Certified to UL standards
- Fast Start

DIMENSIONS:

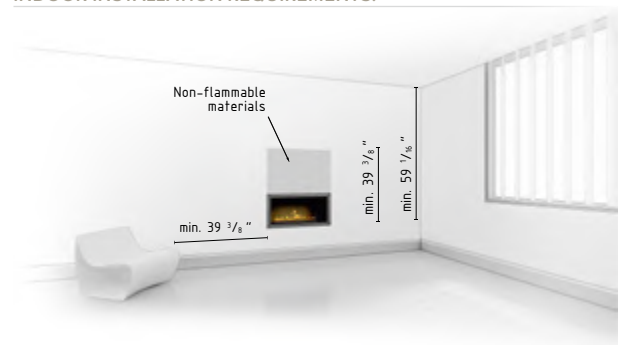


* BEV Technology – A patented process resulting in the clean burning of bio-ethanol fuel vapours.

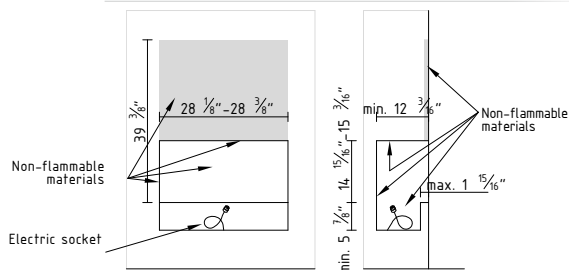
TECHNICAL DATA:

Capacity: 0,7 gal
 Burning time: ~5 h
 Heat output: 13648 BTU
 Net weight: 43 lbs
 Air circulation: min. 1/h
 Minimum room size:
 please contact our Project Department for details
 Power supply: 115 V
 Finish:
 TOP: black powder coated steel,
 CASING: black powder coated steel, galvanized steel,
 OPTIONAL FRAME: black powder coated steel

INDOOR INSTALLATION REQUIREMENTS:



INSTALLATION:



Lincoln PushButton Fireplaces

Lincoln

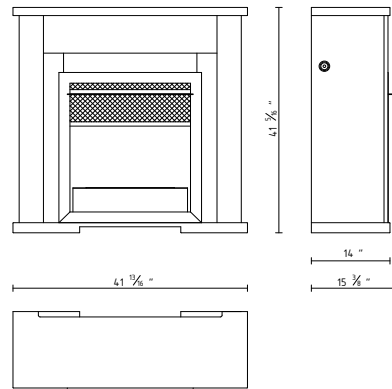
*The First bioethanol Fireplace for every apartment
Modern solution in a traditional form*

FEATURES:

- BEV* Technology
- Floor standing
- No smell / no ash / no smoke
- Remote controllable
- Advanced safety sensors
- Automatic shutdown in case of errors
- Child lock
- Advanced microprocessor
- Diode display
- Control panel
- Intuitive control
- 2 levels of flame height
- Bigger external fuel tank
- Easy installation
- No additional installation
- No additional ventilation required
- No flue system required
- Plug & play fireplace
- Double glazing
- Decorative ceramic logs and pebbles
- Integrated automatic fuel pump
- For indoor use
- Eco-friendly
- Fast Start



DIMENSIONS:



* BEV Technology – A patented process resulting in the clean burning of bio-ethanol fuel vapours.

TECHNICAL DATA:

Capacity: 2,64 gal
 Burning time: 17-22 h
 Heat output: 8600 - 10512 BTU/h
 Net weight: 158 lbs
 Air circulation: min. 1/h
 Minimum room size:
 please contact our Project Department for details
 Power supply: 115 V
 Finish:
 Fireplace building finish: MDF lacquered polyurethane RAL 9003,
 Steel elements finish: stenothersm lacquer-UHT 600 mat similar to RAL 7015

INDOOR INSTALLATION REQUIREMENTS:



PrimeBox PushButtonFireplaces

PrimeBox

*Floor standing fireplace for the easiest arrangement
Enjoy real fire in minutes*

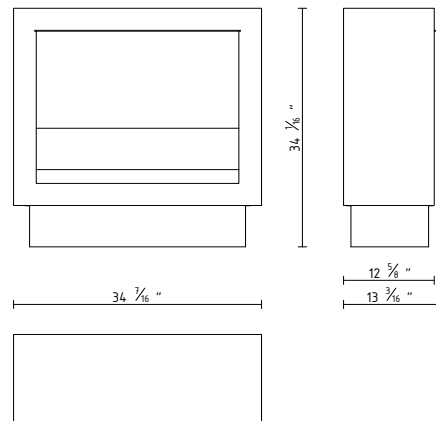


FEATURES:

- BEV* Technology
- Floor standing
- No smell / no ash / no smoke
- Remote controllable
- Advanced safety sensors
- Automatic shutdown in case of errors
- Child Lock
- Advanced microprocessor
- Diode display
- Control panel
- Intuitive control
- 2 levels of flame height
- Easy installation
- No additional installation
- No additional ventilation required
- No chimney required
- Electrical connection required
- For indoor use
- Eco-friendly
- Automatic fuel pump
- Additional flame suppression system
- Certified to UL standards
- Fast Start



DIMENSIONS:



* BEV Technology – A patented process resulting in the clean burning of bio-ethanol fuel vapours.

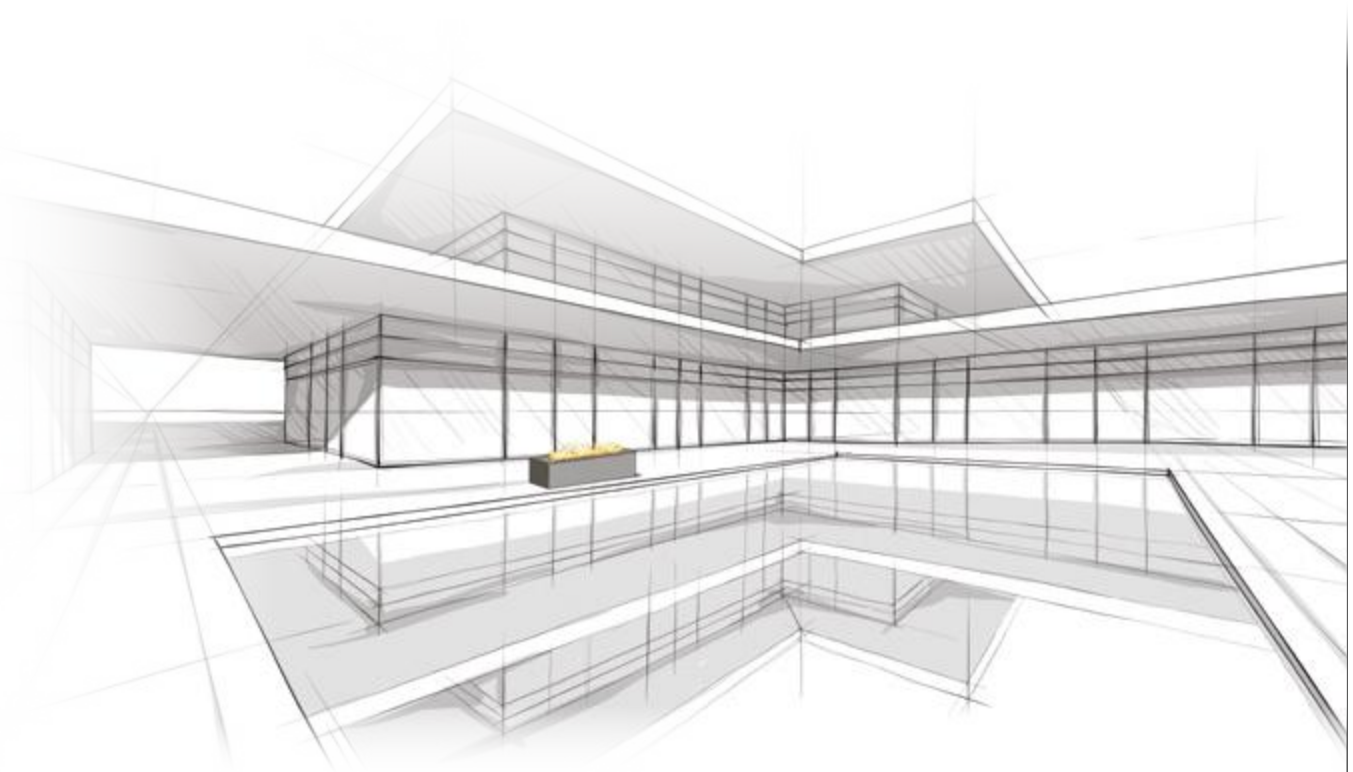
TECHNICAL DATA:

Capacity: 0,7 gal
Burning time: ~5 h
Heat output: 13648 BTU
Net weight: 82 lbs
Air circulation: min. 1/h
Minimum room size:
 please contact our Project Department for details
Power supply: 115 V
Finish:
 TOP: black powder coated steel,
 CASING: lacquered MDF colour: white silk matt, black powder coated steel, brushed stainless steel,
 GLASS SHIELD: hardened glass

INDOOR INSTALLATION REQUIREMENTS:



outdoor



Totem Commerce

*Makes the warmth of summer last longer
Bring the cosiness outdoors*

FEATURES:

- Commerce* Technology
- Portable unit
- No smell / no ash / no smoke
- For outdoor / indoor use
- Glass cylinder to safely enclose the flames
- Eco-friendly

* Commerce Technology – Advanced technology which prevents fuel leakage due to absorbent ceramic fibres.

TECHNICAL DATA:

Capacity: 0,79 gal

Burning time: 6 - 8* h

Heat output: 8547 BTU

Net weight: 55 lbs

Finish:

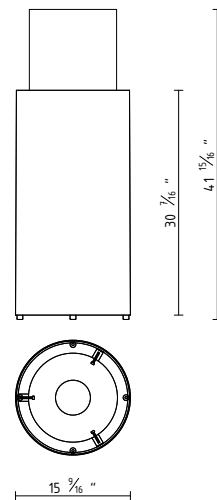
CASING: black polystone, glass tube,

BURNER: stainless steel

* Burning time depends on the amount of fuel poured in



DIMENSIONS:



Jar Commerce outdoor

Jar Commerce

Fire set on a concrete base
Easy way to decorate an outdoor area

FEATURES:

- Commerce* Technology
- Portable unit
- No smell / no ash / no smoke
- For outdoor / indoor use
- Glass cylinder to safely enclose the flames
- Eco-friendly

* Commerce Technology – Advanced technology which prevents fuel leakage due to absorbent ceramic fibres.

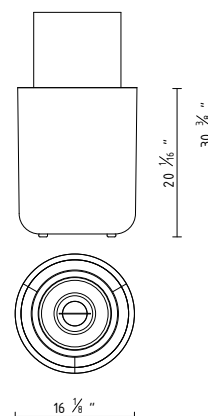
TECHNICAL DATA:

Capacity: 0,79 gal
Burning time: 6 - 8* h
Heat output: 8547 BTU
Net weight: 90 lbs
Finish:
CASING: concrete, glass tube,
BURNER: stainless steel

* Burning time depends on the amount of fuel poured in



DIMENSIONS:



Gustav Commerce

Real flame with rusty finish

Corten fireplace ideal for hotels and restaurants

FEATURES:

- Commerce* Technology
- Portable unit
- No smell / no ash / no smoke
- For outdoor / indoor use
- Glass cylinder and lampshade to safely enclose the flames
- Eco-friendly

* Commerce Technology – Advanced technology which prevents fuel leakage due to absorbent ceramic fibres.



TECHNICAL DATA:

Capacity: 0,79 gal

Burning time: 6 - 8* h

Heat output: 8547 BTU

Net weight: 35 lbs

Finish:

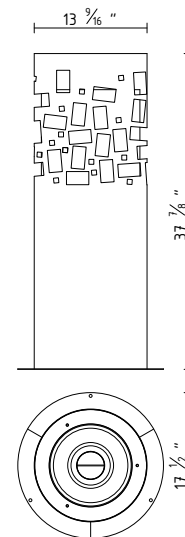
CASING: corten steel, glass tube,

BURNER: stainless steel

* Burning time depends on the amount of fuel poured in



DIMENSIONS:



Faro Commerce outdoor

Faro Commerce

The beauty of real flames with a steel lampshade
A light and portable fireplace

FEATURES:

- Commerce* Technology
- Portable unit
- No smell / no ash / no smoke
- For outdoor / indoor use
- Glass cylinder and lampshade to safely enclose the flames
- Eco-friendly

* Commerce Technology – Advanced technology which prevents fuel leakage due to absorbent ceramic fibres.

TECHNICAL DATA:

Capacity: 0,79 gal

Burning time: 6 - 8* h

Heat output: 8547 BTU

Net weight: 26 lbs

Finish:

CASING: black polyethylene / white polyethylene

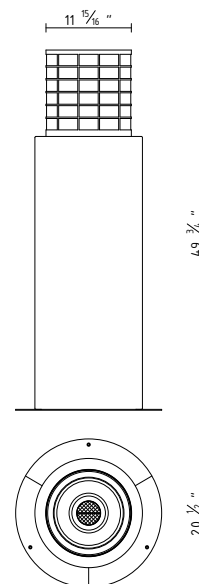
BURNER: stainless steel

LAMP SHADE: stainless steel, glass tube

* Burning time depends on the amount of fuel poured in



DIMENSIONS:



Tondo Commerce

*An eye catching fire-pit to warm up your evenings
Creates a truly relaxing atmosphere*

FEATURES:

- Commerce* Technology
- Eco-friendly
- Portable unit
- No smell / no ash / no smoke
- For outdoor / indoor use
- Optional decorative stones
- Glass cylinder to safely enclose the flames

* Commerce Technology – Advanced technology which prevents fuel leakage due to absorbent ceramic fibres.

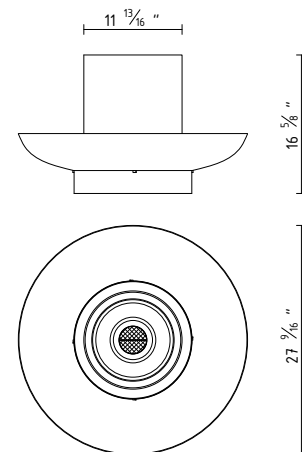
TECHNICAL DATA:

Capacity: 0,79 gal
Burning time: 6 - 8* h
Heat output: 8547 BTU
Net weight: 31 lbs
Finish:
CASING: corten steel
BURNER: stainless steel
glass tube

* Burning time depends on the amount of fuel poured in



DIMENSIONS:



Simple Commerce outdoor

Simple Commerce

*Compact in size and fully portable
Creates a truly relaxing atmosphere*



FEATURES:

- Commerce® Technology
- Portable unit
- No smell / no ash / no smoke
- For outdoor / indoor use
- Optional decorative stones
- Glass cylinder to safely enclose the flames
- Eco-friendly

* Commerce Technology – Advanced technology which prevents fuel leakage due to absorbent ceramic fibres.

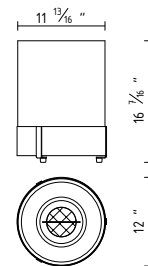
TECHNICAL DATA:

Capacity: 0,39 gal
Burning time: 3 - 4* h
Heat output: 8547 BTU
Net weight: 15 lbs
Finish:
CASING: stainless steel, glass tube,
BURNER: stainless steel

* Burning time depends on the amount of fuel poured in



DIMENSIONS:



Petit Commerce outdoor

Petit Commerce

Small is beautiful

The smallest fireplace from Planika



FEATURES:

- Commerce* Technology
- Portable unit
- No smell / no ash / no smoke
- For outdoor / indoor use
- Glass cylinder and lampshade to safely enclose the flames
- Eco-friendly

* Commerce Technology – Advanced technology which prevents fuel leakage due to absorbent ceramic fibres.

TECHNICAL DATA:

Capacity: 0,39 gal

Burning time: 3 - 4* h

Heat output: 8547 BTU

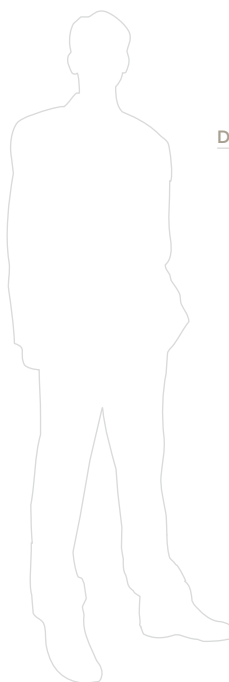
Net weight: 7 lbs

Finish:

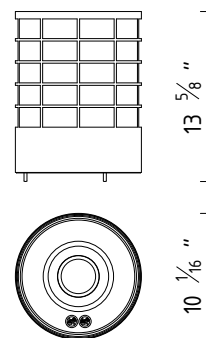
CASING: painted steel (RAL 9010), glass tube,

BURNER: stainless steel

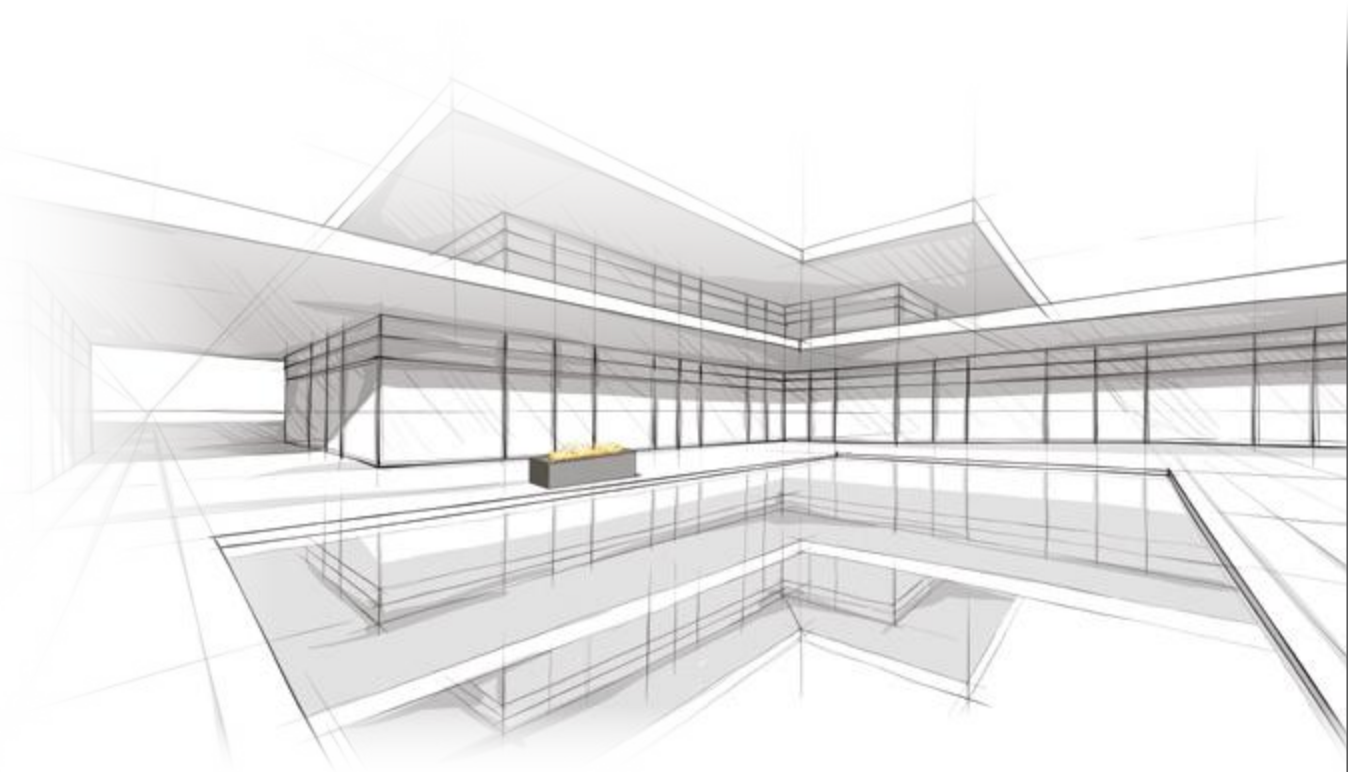
* Burning time depends on the amount of fuel poured in



DIMENSIONS:



outdoor



Galio Insert outdoor

Galio Insert

Gas fireplace insert with a linear form

Creates a cozy and unique atmosphere in outdoor living spaces



FEATURES:

- For outdoor use
- Easy installation
- Flame height regulation
- Linear-shape burner
- LPG or natural gas powered
- Safety sensor
- No electrical connection required
- CSA certified components

TECHNICAL DATA:

Net weight: 46 lbs

LPG

Heat output: min. 21 623 BTU; max. 40 219 BTU

Gas rate: min. 1,1 lbs/h; max. 2,05 lbs/h

Gas pressure: 11" WC

NG

Heat output: min. 16 108 BTU; max. 32 215 BTU

Gas rate: min. 17,7 ft³/h; max. 35,3 ft³/h

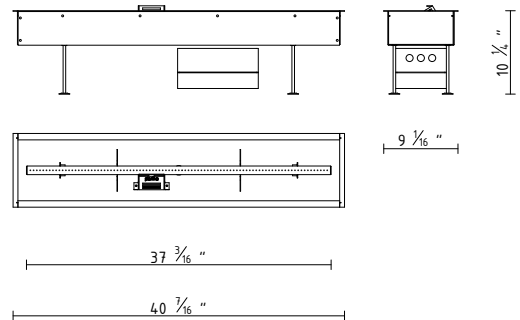
Gas pressure: 7" WC

Finish:

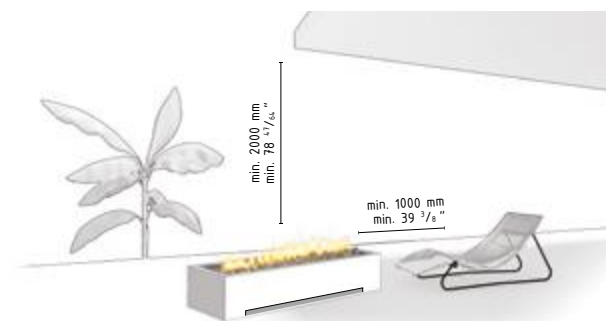
stainless steel



DIMENSIONS:



INSTALLATION REQUIREMENTS:



Galio Corten outdoor

Galio Corten

Linear fire for outdoor use

Corten fireplace for commercial and residential spaces



FEATURES:

- For outdoor use
- Easy installation
- Flame height regulation
- Linear-shape burner
- LPG or natural gas powered
- Safety sensor
- No electrical connection required
- Portable unit
- Intuitive control
- CSA certified components



TECHNICAL DATA:

Net weight: 68 lbs

LPG

Heat output: min 21 623 BTU; max. 40 219 BTU

Gas rate: min. 1,1 lbs/h; max. 2,05 lbs/h

Gas pressure: 11" WC

NG

Heat output: min. 16 108 BTU; max. 32 215 BTU

Gas rate: min. 17,7 ft³/h; max. 35,3 ft³/h

Gas pressure: 7" WC

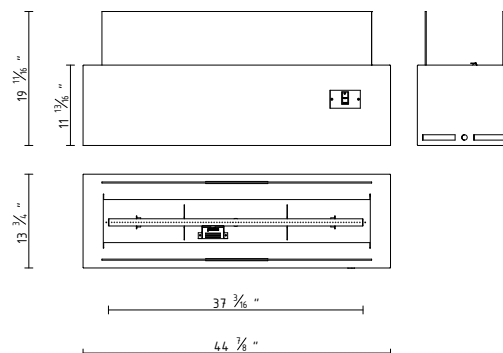
Finish:

CASING: corten steel

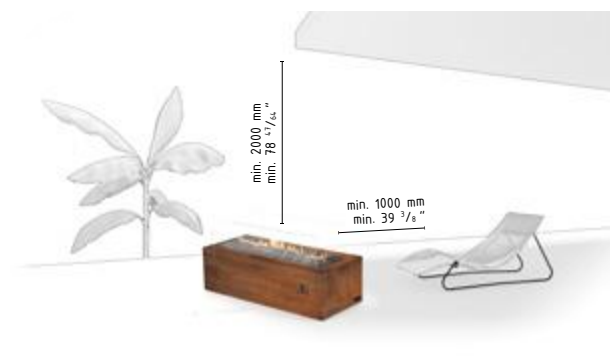
GLASS SHIELD: tempered glass

BURNER: stainless steel

DIMENSIONS:



INSTALLATION REQUIREMENTS:



... advanced technology and **real fire**

contents

About us	3
Arrangements of products	5
Why to choose Planika, safety sensors, intelligent fire & ecology	40
COLLECTIONS	
Automatic Inserts	45
Push Button Fireplaces	55
Outdoor	61
GAS Outdoor	69

HEAD OFFICE Planika Sp. z o.o.

ul. Bydgoska 38
86-061 Brzoza, Poland
Tel: +48 52 364 11 60
Fax: +48 52 364 11 70
e-mail: planika@planikafires.com
www.planikafires.com

Planika USA LLC

1 Ackerman Avenue
Clifton, NJ 07011
Tel1: +1 (201) 933 7787
Tel2: +1 (201) 933 7723
F: +1 (201) 933 7741
e-mail: info@planikausa.com
www.planikausa.com